

Incremental encoders

Solid shaft $\varnothing 10$ mm with clamping flange

50...1024 pulses per revolution

ITD 20 B14 Y11



ITD 20 B14 Y11 with clamping flange

Technical data - electrical ratings

Voltage supply	5 VDC ± 5 % 8...30 VDC
Reverse polarity protection	Yes
Consumption w/o load	≤ 100 mA
Pulses per revolution	50...1024
Reference signal	Zero pulse, width 90°
Sensing method	Optical
Output frequency	≤ 120 kHz
Output signals	A, B, N + inverted
Output stage	TTL linedriver (short-circuit proof) HTL push-pull (short-circuit proof)
Interference immunity	DIN EN 61000-6-2
Emitted interference	DIN EN 61000-6-3

Features

- Encoder with solid shaft $\varnothing 10$ mm
- Max. 1024 pulses per revolution
- Optical sensing
- Centering alignment $\varnothing 36$ mm, mounting screw hole circle $\varnothing 48$ mm
- Industrial standard
- TTL or HTL output signals
- Flange socket radial

Optional

- Extended operating temperature range

Technical data - mechanical design

Size (flange)	$\varnothing 58$ mm
Shaft type	$\varnothing 10$ mm solid shaft (clamping flange)
Shaft loading	≤ 40 N axial ≤ 60 N radial
Flange	Clamping flange
Protection DIN EN 60529	IP 65
Operating speed	≤ 12000 rpm
Starting torque	≤ 0.01 Nm (+20 °C)
Materials	Housing: aluminium, black, powder-coated Shaft: stainless steel
Operating temperature	-20...+70 °C -20...+100 °C
Relative humidity	90 % non-condensing
Resistance	DIN EN 60068-2-6 Vibration 10 g, 55-2000 Hz DIN EN 60068-2-27 Shock 100 g, 11 ms
Connection	Connector M23 type 2, 12-pin
Weight approx.	270 g

Incremental encoders

Solid shaft $\varnothing 10$ mm with clamping flange
50...1024 pulses per revolution

ITD 20 B14 Y11

Part number

ITD 20 B14 Y11 D2SR12 10 IP65

Protection
IP65 IP 65

Flange / Solid shaft
10 Clamping flange / $\varnothing 10$ mm

Operating temperature
S -20...+70 °C
E -20...+100 °C

Connection
D2SR12 Flange socket type 2, pin contacts, radial, 12-pin

Output signals
BI A, A inv, B, B inv
NI A, A inv, B, B inv, 0, 0 inv

Voltage supply / signals
T 5 VDC / TTL level, linedriver
H 8...30 VDC / HTL level, push pull
R 8...30 VDC / TTL level, linedriver

Pulse number - see table

Pulse number

50	90	200	360	600
60	100	250	400	1000
64	120	254	500	1024
88	128	256	512	

Accessories

Connectors and cables

11072792 Connector S2BG12, 1 m cable (ITD)

Incremental encoders

Solid shaft $\varnothing 10$ mm with clamping flange

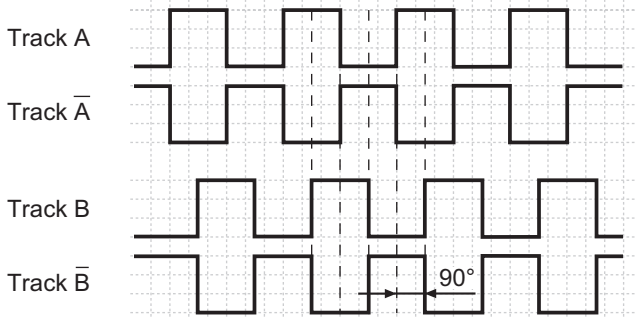
50...1024 pulses per revolution

ITD 20 B14 Y11

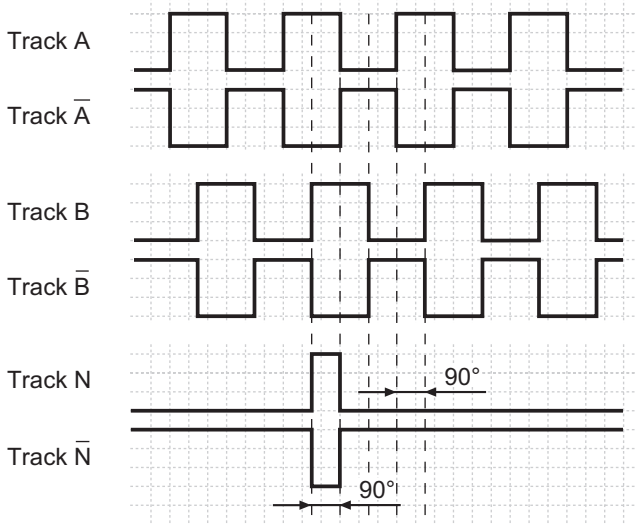
Output signals

Clockwise rotation when looking at the mounting side.

BI-Output signals

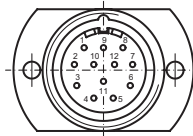


NI-Output signals



Terminal assignment

Connector	Assignment
Pin 5	Track A
Pin 6	Track A inv.
Pin 8	Track B
Pin 1	Track B inv.
Pin 3	Track N
Pin 4	Track N inv.
Pin 12	UB
Pin 10	GND
Pin 2	UB-Sense
Pin 11	GND-Sense
Pin 9	-
Pin 7	-

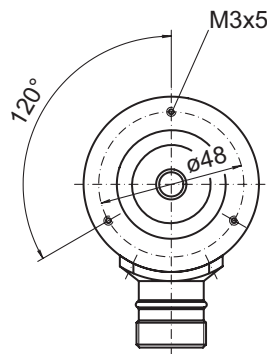
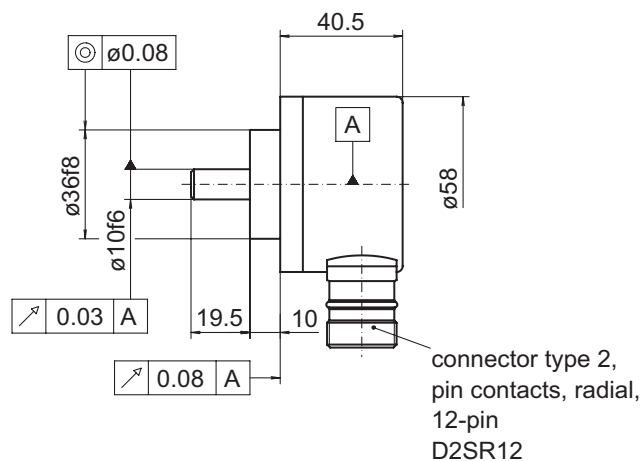


Trigger level

Outputs	Linedriver
Output level High	≥ 2.4 V
Output level Low	≤ 0.5 V
Load	≤ 70 mA

Outputs	Push-pull short-circuit proof
Output level High	$\geq UB - 3$ V
Output level Low	≤ 1.5 V
Load	≤ 70 mA

Dimensions



027- 4 Y11

Incremental encoders
Solid shaft $\varnothing 10$ mm with clamping flange
50...1024 pulses per revolution

ITD 20 B14 Y11
